

www.planscape.co.uk

Host Pods

INFORMATION PACK

←
FIXED DESKS (1-19)
PRINT STATION
CALL BOOTHS

↑
COFFEE IN COMMON
HOT DESKS
COMMUNE 03 & 04
BOARD ROOMS

Host was designed to embrace the rapidly changing landscape of open plan environments.

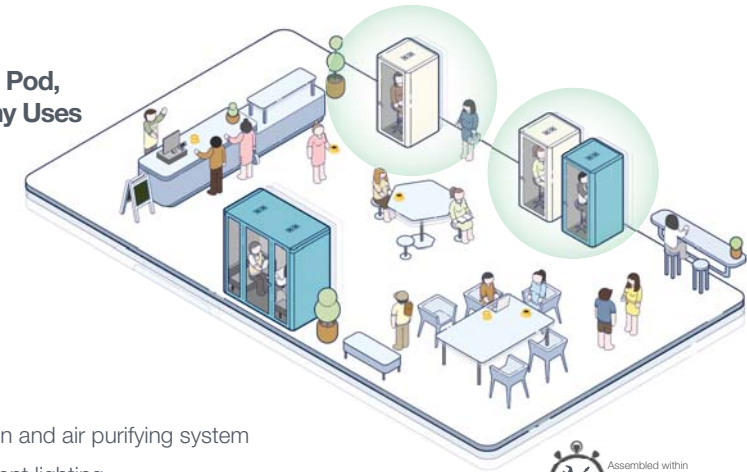
When users need acoustic privacy, compelling workspaces or areas to meet, each pod is highly ergonomic and functional, packed with the latest technology when you need to stay connected.





Host One | For focused tasks or for attending virtual meetings, Host One delivers a single person private space.

**One Pod,
Many Uses**

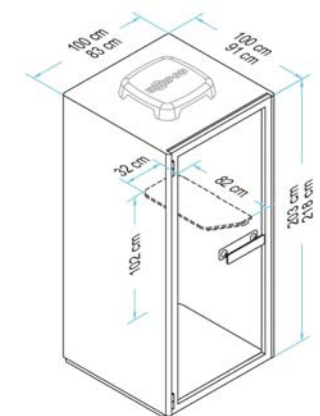


Assembled within
1½hrs

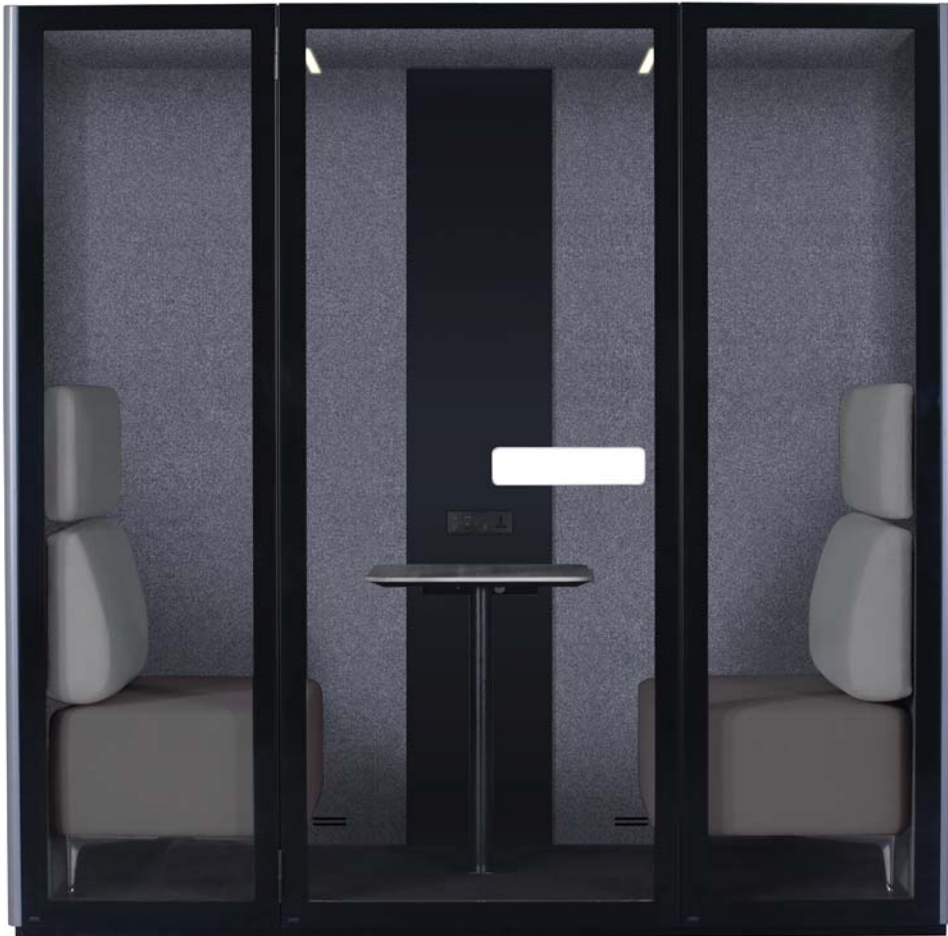
Features.

- Almost silent air circulation and air purifying system
- Intuitive LED energy efficient lighting
- Integrated CE certified UK power socket
- USB (Type A+C) charging ports
- Exterior occupancy lights
- Auto-close tempered glass door with elegant handle
- Environment control digital panel
- White laminated work shelf with chamfered edge
- White epoxy painted pressed steel exterior
- Charcoal interior PET wall panels
- Mobility castors for moving when assembled
- 28.9dB acoustic rating
- UL Greenguard certified

Together these combine to offer a soundproof, distraction free, space for independent working.

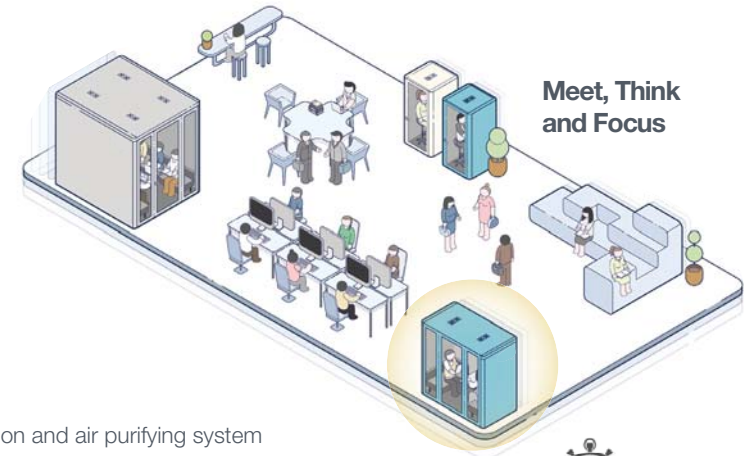


Manufactured within 6 Weeks



Host Two

An office within an office, Host Two offers the perfect venue for undisturbed private one-to-one's, team meetings, video conferences and smart screen presentations.

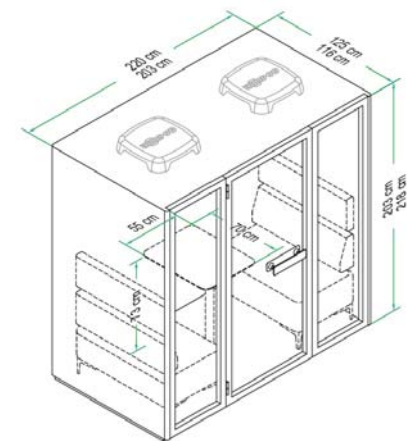


Assembled within
1½hrs

Features.

- Almost silent air circulation and air purifying system
- Motion sensitive LED lighting
- CE certified UK power socket and USB (Type A+C) charging ports
- Comfortable upholstered high back bench seating
- Environment control digital panel
- Modern fixed handle with auto-close magnetic mechanism
- Sleek white laminated table
- Centrally positioned TV mounting panel
- Internal acoustic-rated PET panels
- Optional glass back panel - suffix, .../G)
- White epoxy painted pressed steel exterior
- Mobility castors for moving when assembled
- 28.9dB acoustic rating
- UL Greenguard certified

A modular, soundproof work pod that creates a comfortable space to meet, think and focus.



Host Components



Air circulation and air purifying system



LED energy efficient lighting



Built-in UK power socket and USB A+C charging ports



Auto-close tempered glass door with elegant handle



Environment control panel



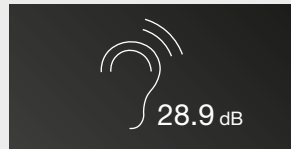
White laminated work shelf



White epoxy painted pressed steel exterior



On/Off motion sensor lighting



Acoustically tested as a pod, acquiring rating of 28.9dB

Host Certification



HIGH ACOUSTIC RATING

TUV - 28.9dB / NIC

CERTIFIED BY TÜV based on ISO 23351-1 standard

Host has been tested as an assembled unit by TÜV, unlike most other manufacturers pods who test unassembled panels individually meaning the integrity of an enclosed unit is uncertified.



Host has achieved Greenguard Certification which is scientifically proven to meet some of the world's most rigorous third-party chemical emissions standards, helping to reduce indoor air pollution and the risk of chemical exposure.

The certification can contribute to LEED credits.